

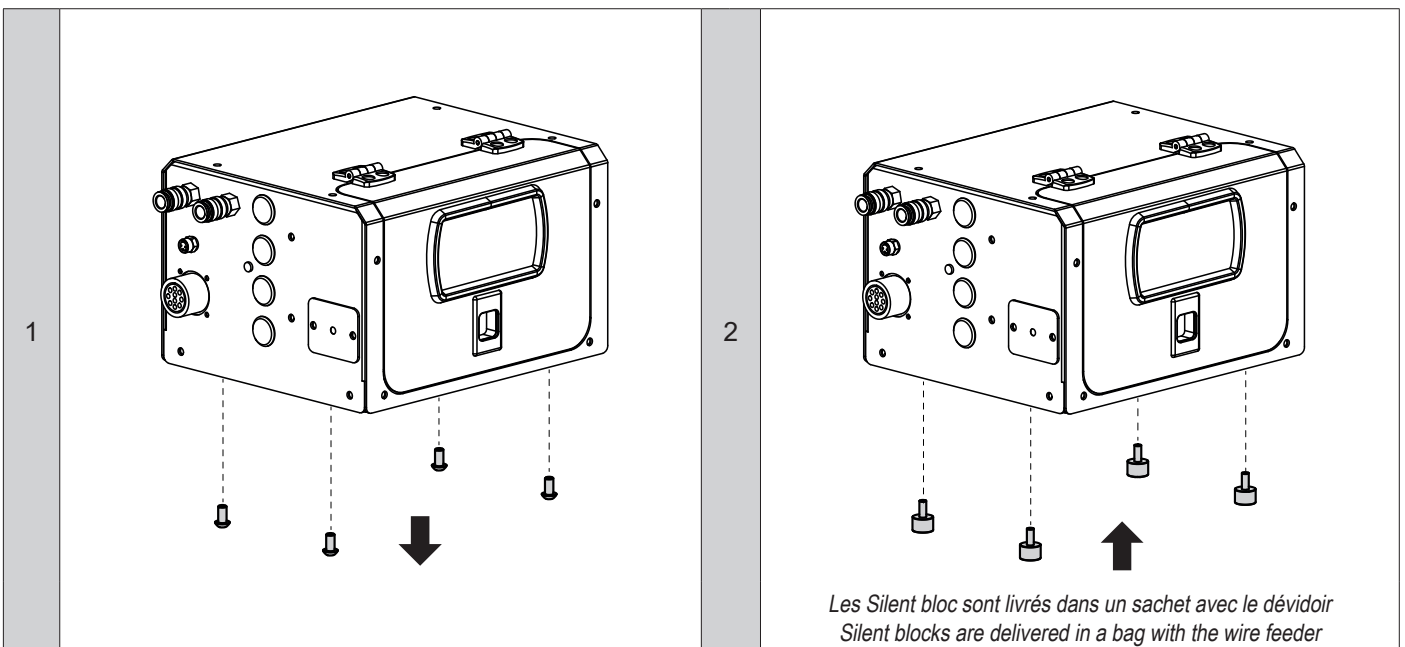
KIT N°4 - FANUC®

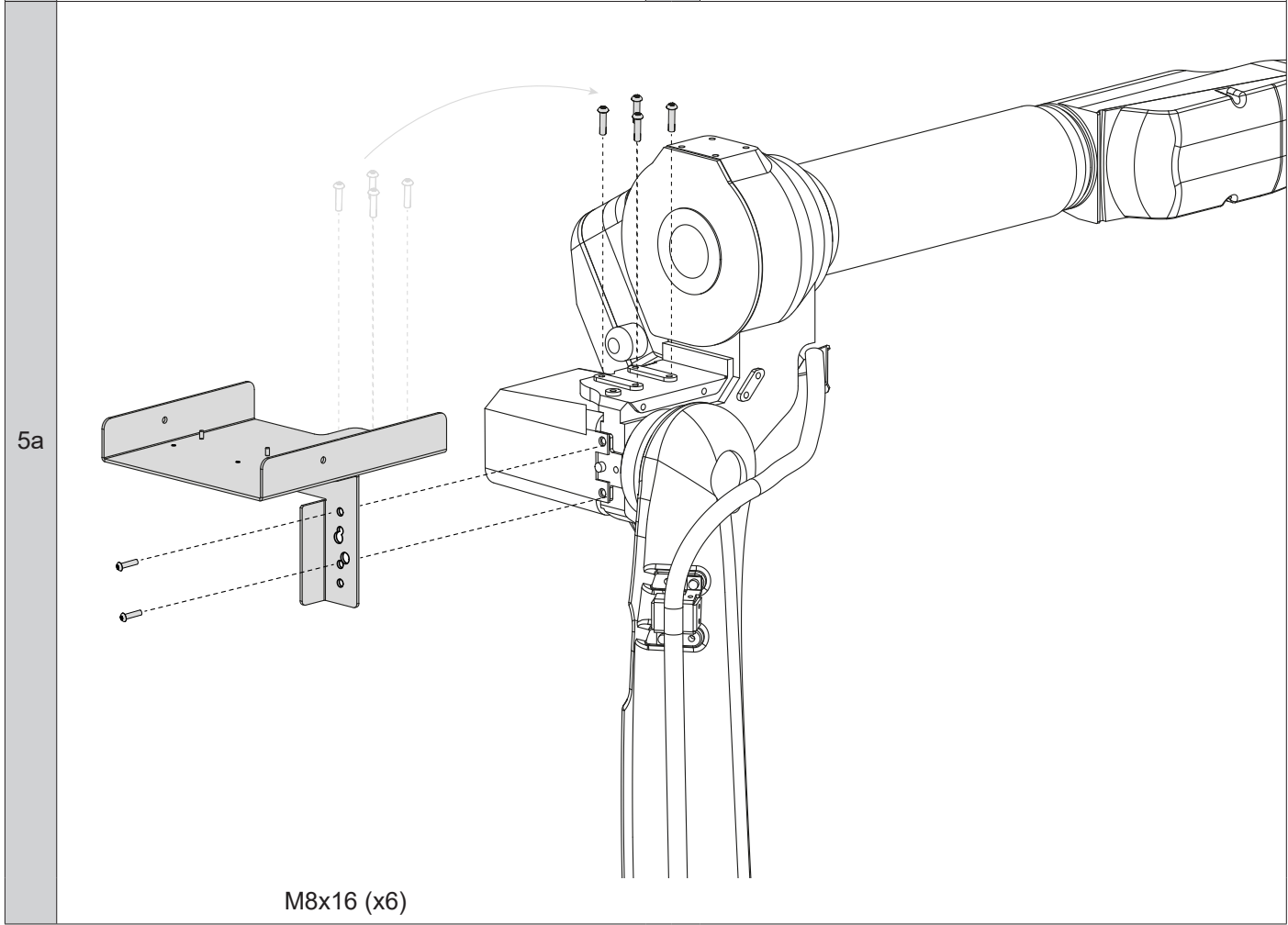
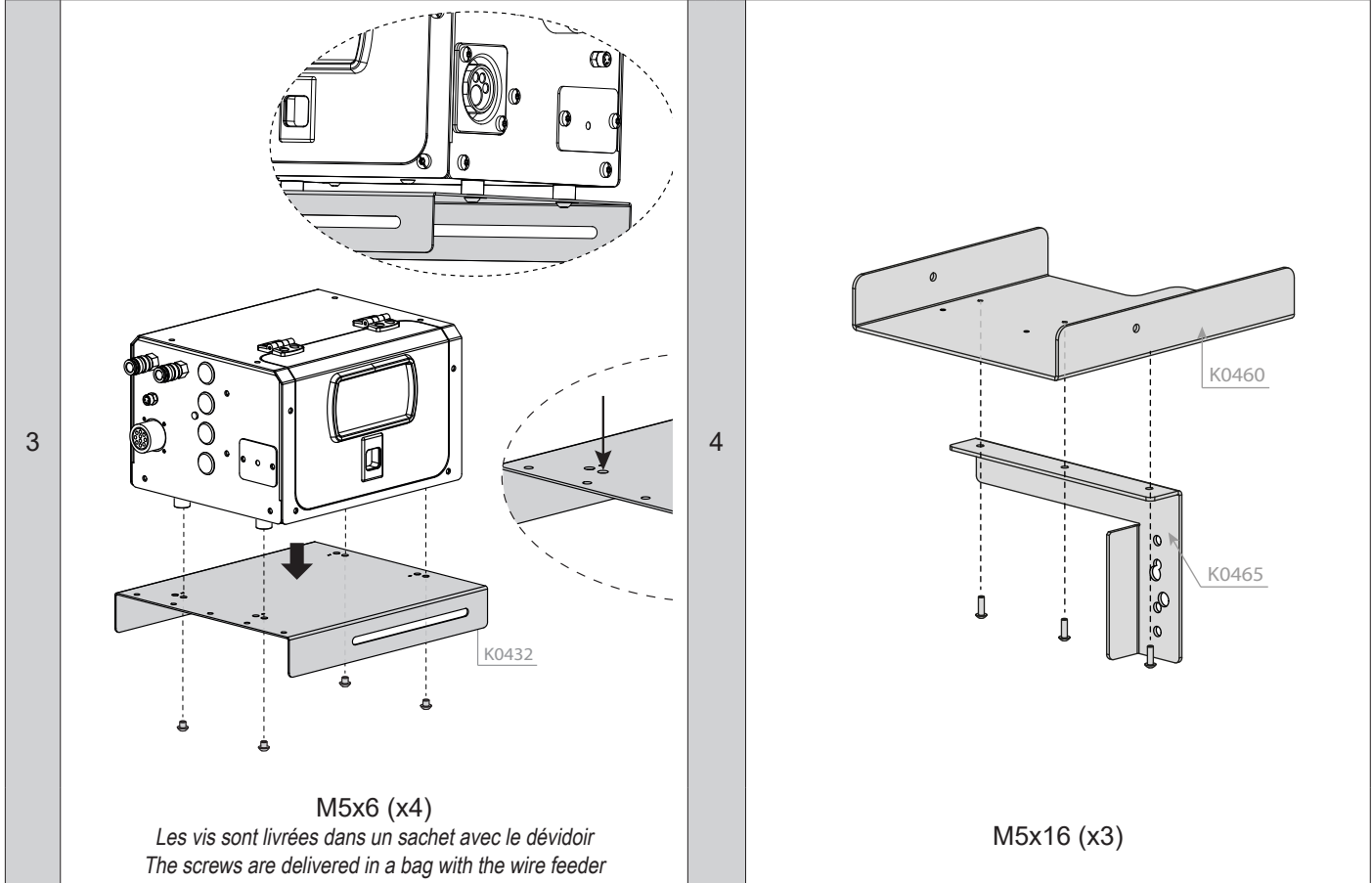
ref. 071469

Livré avec le dévidoir
Supplied with wire feeder

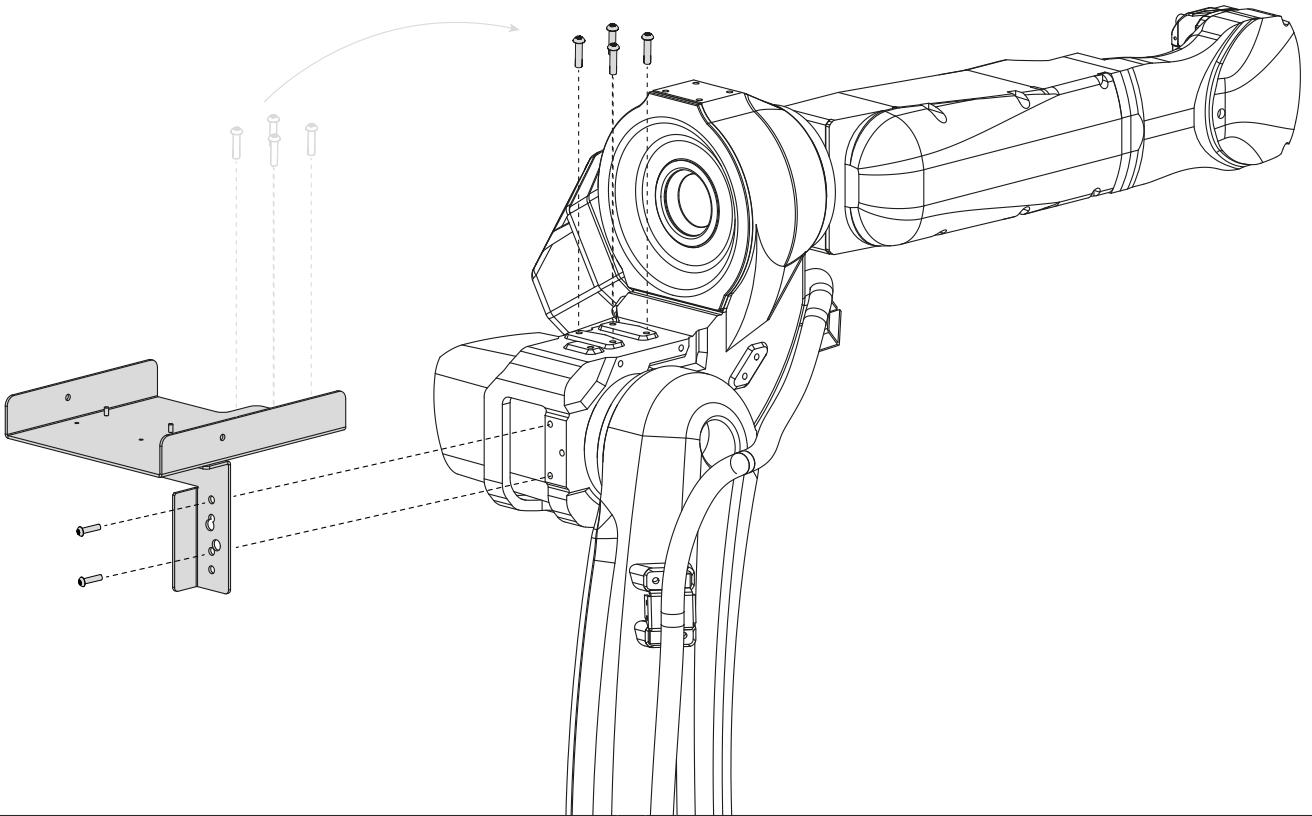
 x4	 x4	 x3	 x8	 x2
M5 / Ø25 mm	M5x6	M5x16	M8x16	
71142	42116	41072	41017	42131

ARC MATE 100ID	✓
ARC MATE 100ID8L	✓
ARC MATE 100ID10L	✓
M-10ID	✓
M-10ID8L	✓
M-10ID10L	✓
ARC MATE 120ID	✓
ARC MATE 120ID12L	✓
ARC MATE 120ID35	✓
M-20ID	✓
M-20ID12L	✓
M-20ID35	✓

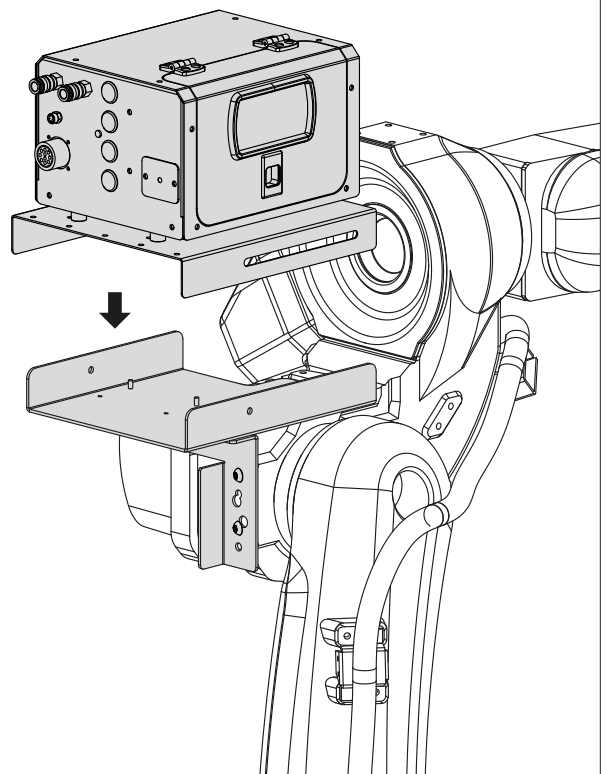
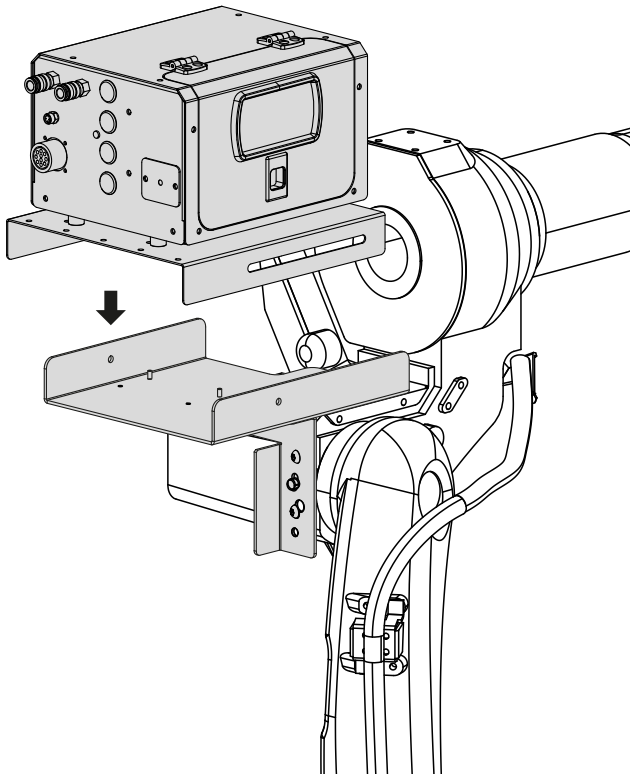




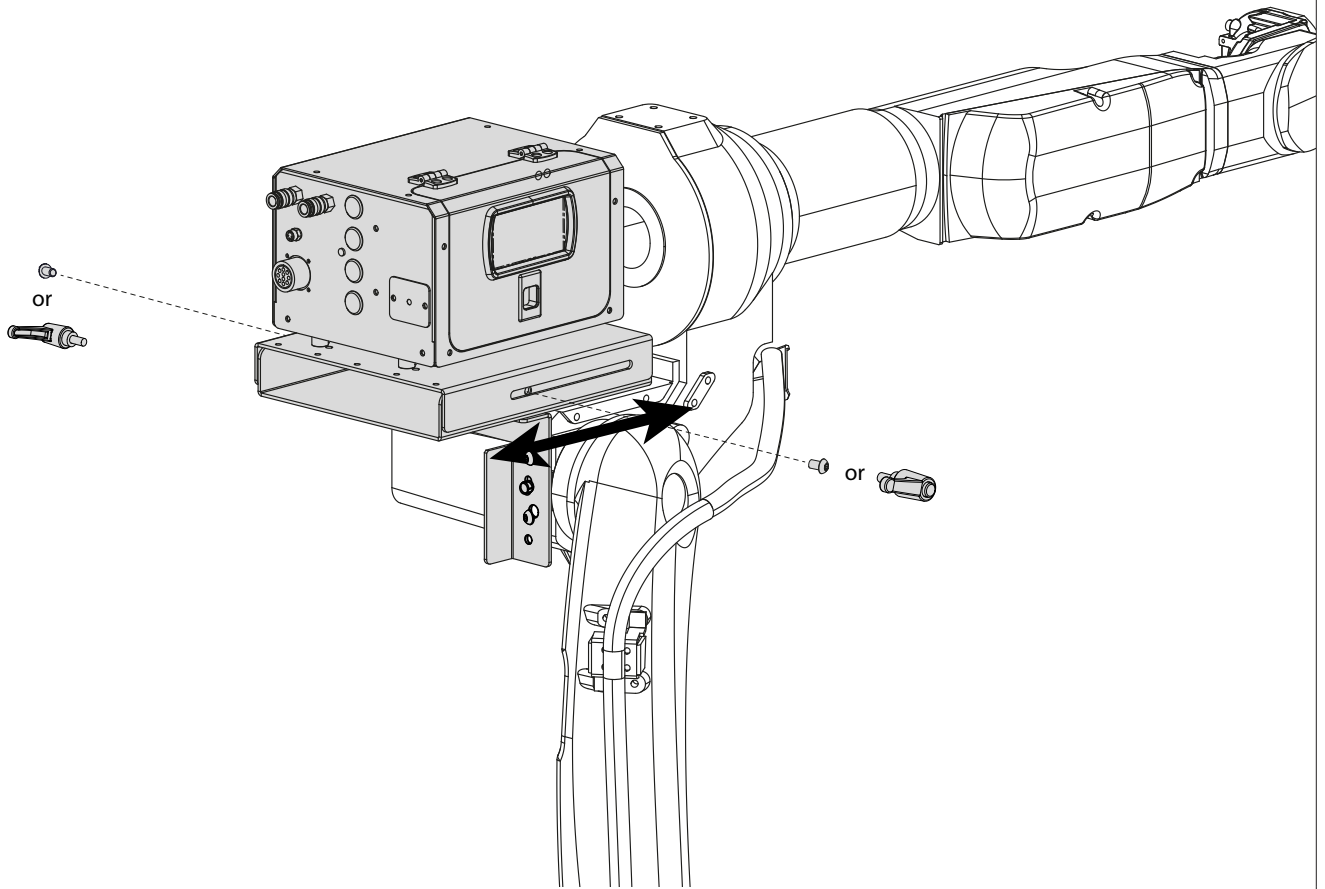
5b



6



7



M8x16 (x2)



GYS SAS
1, rue de la Croix des Landes
CS 54159
53941 SAINT-BERTHEVIN
Cedex France